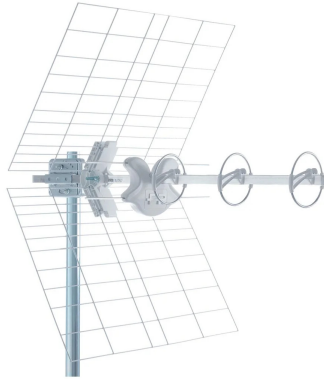


## ALPHA 3HD 700

### UHF Aerials



UHF 3-element loop Yagi aerial with F connector, 5G and 4G LTE filter and grid reflector

### Technical Chars

- Pre-assembled directors, radiator and reflectors snap onto a slide already present on the cradle; **assembly** is completed **without** the need for any **tools**.
- Special attention was paid to the choice of materials to achieve higher **robustness**.
- High gain, excellent impedance matching and **excellent directivity**.
- Innovative pole mount with zenith adjustment as standard and a knurled surface for optimum strength and hold to the pole, and a **butterfly nut** for **tightening without the need for any tools**.
- A **5G filter** has been inserted into the dipole radiator to guarantee the quality of the distributed signal and achieve excellent filtering of **5G and 4G interfering** signals in the LTE band (694-860 MHz) reserved for mobile telephony.
- Exclusive design **patented by Fracarro**.

ALPHA 3HD 700		
Code		213239
Elements		3
Band		UHF
Channel		E21-E48
Bandwidth	MHz	470-694
Gain	dBi	12.5
Front/Back ratio	dB	38
Return loss	dB	-18
Beam width (3dB)	°	±25
Wind load 120Km/h 729N/m <sup>2</sup>	Kg (N)	5.7 (55.9)
Connector		F
Impedence	Ohm	75
Max mast diameter	mm	60
Dimensions	cm	71 x 50
Accessories		
Horizontal polarization		Included

Vertical polarization		Included
Vertical polarization tilt adjustment		Included
Auxiliary boom		-
<b>Dimensions and packaging</b>		
Pieces		10
EAN code		8016978106042
Multiple EAN		8016978106172
Unit weight	Kg	1.80
Total weight	Kg	20.3

## Gain (x: MHz frequency, y: ISO dBi gain) and Polar diagram (@600MHz)

